

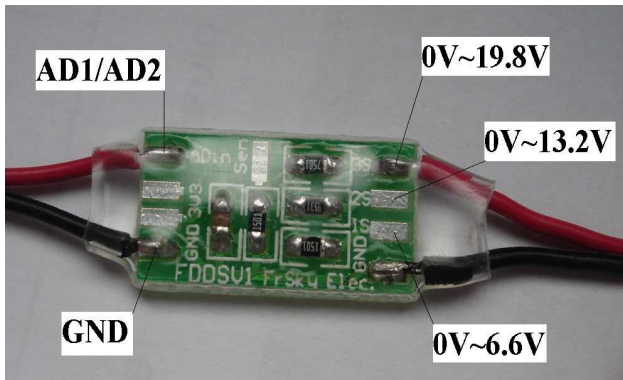
Instruction Manual for FrSky Battery Voltage Sensor

Introduction:

FrSky Battery Voltage Sensor is provided as Two Way Telemetry System's Optional Accessory. There are three voltage ranges to choose: 1S lipo for battery voltage range from 0V~6.6V, up to 3S lipo for 0V~13.2V and up to 5S lipo for 0V~19.8V. Please check the battery voltage division ratio for each option below:

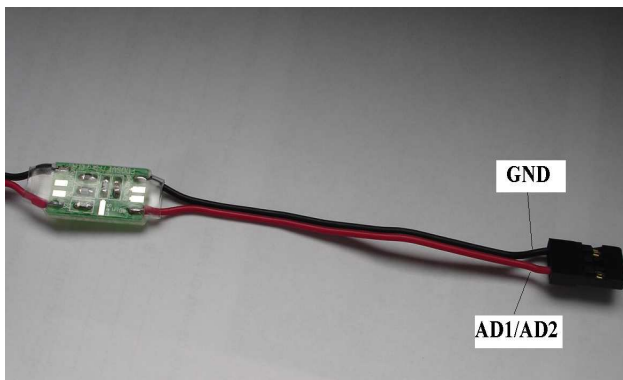
Recommended Voltage Option	Max Lipo Pack Count	Battery Voltage Division Ratio
1S	1S	2:1
2S	3S	4:1
3S	5S	6:1

For more details, please kindly refer to the following pictures and notes.



Picture 1:

There are two wires as shown on the right of the picture. Please connect the RED wire to battery voltage, and the BLACK to GND.



Picture 2:

Please connect the 2-wire black plug to FrSky Two Way Telemetry Receiver (D8R). Please pay attention that BLACK wire is for GND, and RED for AD1/AD2.